



wwPDB X-ray Structure Validation Summary Report ⓘ

Aug 14, 2023 – 11:11 PM EDT

PDB ID : 1R19
Title : Crystal Structure Analysis of S.epidermidis adhesin SdrG binding to Fibrinogen (Apo structure)
Authors : Ponnuraj, K.; Bowden, M.G.; Davis, S.; Gurusiddappa, S.; Moore, D.; Choe, D.; Xu, Y.; Hook, M.; Narayana, S.V.L.
Deposited on : 2003-09-23
Resolution : 3.51 Å(reported)

This is a wwPDB X-ray Structure Validation Summary Report for a publicly released PDB entry.

We welcome your comments at validation@mail.wwpdb.org

A user guide is available at

<https://www.wwpdb.org/validation/2017/XrayValidationReportHelp>

with specific help available everywhere you see the ⓘ symbol.

The types of validation reports are described at

<http://www.wwpdb.org/validation/2017/FAQs#types>.

The following versions of software and data (see [references ⓘ](#)) were used in the production of this report:

MolProbity : 4.02b-467
Xtriage (Phenix) : 1.13
EDS : 2.35
Percentile statistics : 20191225.v01 (using entries in the PDB archive December 25th 2019)
Refmac : 5.8.0158
CCP4 : 7.0.044 (Gargrove)
Ideal geometry (proteins) : Engh & Huber (2001)
Ideal geometry (DNA, RNA) : Parkinson et al. (1996)
Validation Pipeline (wwPDB-VP) : 2.35

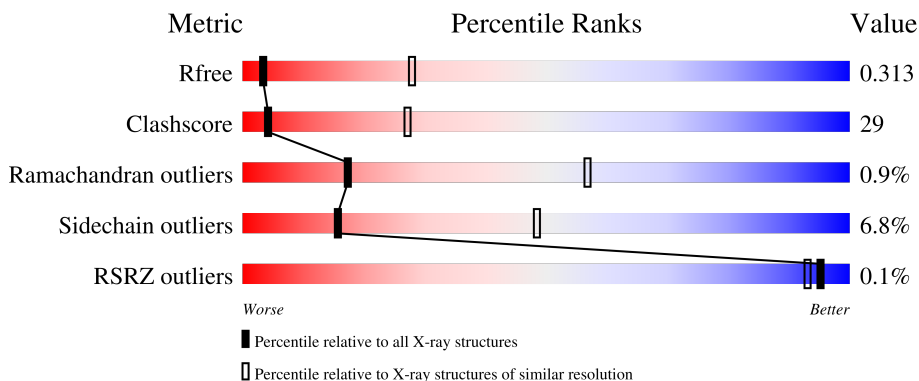
1 Overall quality at a glance

The following experimental techniques were used to determine the structure:

X-RAY DIFFRACTION

The reported resolution of this entry is 3.51 Å.

Percentile scores (ranging between 0-100) for global validation metrics of the entry are shown in the following graphic. The table shows the number of entries on which the scores are based.



Metric	Whole archive (#Entries)	Similar resolution (#Entries, resolution range(Å))
R_{free}	130704	1161 (3.60-3.44)
Clashscore	141614	1244 (3.60-3.44)
Ramachandran outliers	138981	1206 (3.60-3.44)
Sidechain outliers	138945	1207 (3.60-3.44)
RSRZ outliers	127900	1080 (3.60-3.44)

The table below summarises the geometric issues observed across the polymeric chains and their fit to the electron density. The red, orange, yellow and green segments of the lower bar indicate the fraction of residues that contain outliers for ≥ 3 , 2, 1 and 0 types of geometric quality criteria respectively. A grey segment represents the fraction of residues that are not modelled. The numeric value for each fraction is indicated below the corresponding segment, with a dot representing fractions $\leq 5\%$. The upper red bar (where present) indicates the fraction of residues that have poor fit to the electron density. The numeric value is given above the bar.

Mol	Chain	Length	Quality of chain
1	A	343	53% 28% 17%
1	B	343	50% 34% 13%
1	C	343	49% 34% 13%
1	D	343	55% 27% 15%

2 Entry composition i

There is only 1 type of molecule in this entry. The entry contains 8216 atoms, of which 0 are hydrogens and 0 are deuteriums.

In the tables below, the ZeroOcc column contains the number of atoms modelled with zero occupancy, the AltConf column contains the number of residues with at least one atom in alternate conformation and the Trace column contains the number of residues modelled with at most 2 atoms.

- Molecule 1 is a protein called fibrinogen-binding protein SdrG.

Mol	Chain	Residues	Atoms					ZeroOcc	AltConf	Trace
			Total	C	N	O	S			
1	A	286	1999	1228	340	428	3	0	0	0
1	B	300	2077	1284	349	441	3	0	0	0
1	C	298	2107	1306	358	440	3	0	0	0
1	D	292	2033	1247	347	436	3	0	0	0

There are 72 discrepancies between the modelled and reference sequences:

Chain	Residue	Modelled	Actual	Comment	Reference
A	256	MET	-	cloning artifact	UNP Q9KI13
A	257	GLY	-	cloning artifact	UNP Q9KI13
A	258	ARG	-	cloning artifact	UNP Q9KI13
A	259	SER	-	cloning artifact	UNP Q9KI13
A	260	HIS	-	cloning artifact	UNP Q9KI13
A	261	HIS	-	cloning artifact	UNP Q9KI13
A	262	HIS	-	cloning artifact	UNP Q9KI13
A	263	HIS	-	cloning artifact	UNP Q9KI13
A	264	HIS	-	cloning artifact	UNP Q9KI13
A	265	HIS	-	cloning artifact	UNP Q9KI13
A	266	GLY	-	cloning artifact	UNP Q9KI13
A	267	SER	-	cloning artifact	UNP Q9KI13
A	268	LEU	-	cloning artifact	UNP Q9KI13
A	269	VAL	-	cloning artifact	UNP Q9KI13
A	270	PRO	-	cloning artifact	UNP Q9KI13
A	271	ARG	-	cloning artifact	UNP Q9KI13
A	272	GLY	-	cloning artifact	UNP Q9KI13
A	273	SER	-	cloning artifact	UNP Q9KI13
B	256	MET	-	cloning artifact	UNP Q9KI13
B	257	GLY	-	cloning artifact	UNP Q9KI13
B	258	ARG	-	cloning artifact	UNP Q9KI13

Continued on next page...

Continued from previous page...

Chain	Residue	Modelled	Actual	Comment	Reference
B	259	SER	-	cloning artifact	UNP Q9KI13
B	260	HIS	-	cloning artifact	UNP Q9KI13
B	261	HIS	-	cloning artifact	UNP Q9KI13
B	262	HIS	-	cloning artifact	UNP Q9KI13
B	263	HIS	-	cloning artifact	UNP Q9KI13
B	264	HIS	-	cloning artifact	UNP Q9KI13
B	265	HIS	-	cloning artifact	UNP Q9KI13
B	266	GLY	-	cloning artifact	UNP Q9KI13
B	267	SER	-	cloning artifact	UNP Q9KI13
B	268	LEU	-	cloning artifact	UNP Q9KI13
B	269	VAL	-	cloning artifact	UNP Q9KI13
B	270	PRO	-	cloning artifact	UNP Q9KI13
B	271	ARG	-	cloning artifact	UNP Q9KI13
B	272	GLY	-	cloning artifact	UNP Q9KI13
B	273	SER	-	cloning artifact	UNP Q9KI13
C	256	MET	-	cloning artifact	UNP Q9KI13
C	257	GLY	-	cloning artifact	UNP Q9KI13
C	258	ARG	-	cloning artifact	UNP Q9KI13
C	259	SER	-	cloning artifact	UNP Q9KI13
C	260	HIS	-	cloning artifact	UNP Q9KI13
C	261	HIS	-	cloning artifact	UNP Q9KI13
C	262	HIS	-	cloning artifact	UNP Q9KI13
C	263	HIS	-	cloning artifact	UNP Q9KI13
C	264	HIS	-	cloning artifact	UNP Q9KI13
C	265	HIS	-	cloning artifact	UNP Q9KI13
C	266	GLY	-	cloning artifact	UNP Q9KI13
C	267	SER	-	cloning artifact	UNP Q9KI13
C	268	LEU	-	cloning artifact	UNP Q9KI13
C	269	VAL	-	cloning artifact	UNP Q9KI13
C	270	PRO	-	cloning artifact	UNP Q9KI13
C	271	ARG	-	cloning artifact	UNP Q9KI13
C	272	GLY	-	cloning artifact	UNP Q9KI13
C	273	SER	-	cloning artifact	UNP Q9KI13
D	256	MET	-	cloning artifact	UNP Q9KI13
D	257	GLY	-	cloning artifact	UNP Q9KI13
D	258	ARG	-	cloning artifact	UNP Q9KI13
D	259	SER	-	cloning artifact	UNP Q9KI13
D	260	HIS	-	cloning artifact	UNP Q9KI13
D	261	HIS	-	cloning artifact	UNP Q9KI13
D	262	HIS	-	cloning artifact	UNP Q9KI13
D	263	HIS	-	cloning artifact	UNP Q9KI13
D	264	HIS	-	cloning artifact	UNP Q9KI13

Continued on next page...

Continued from previous page...

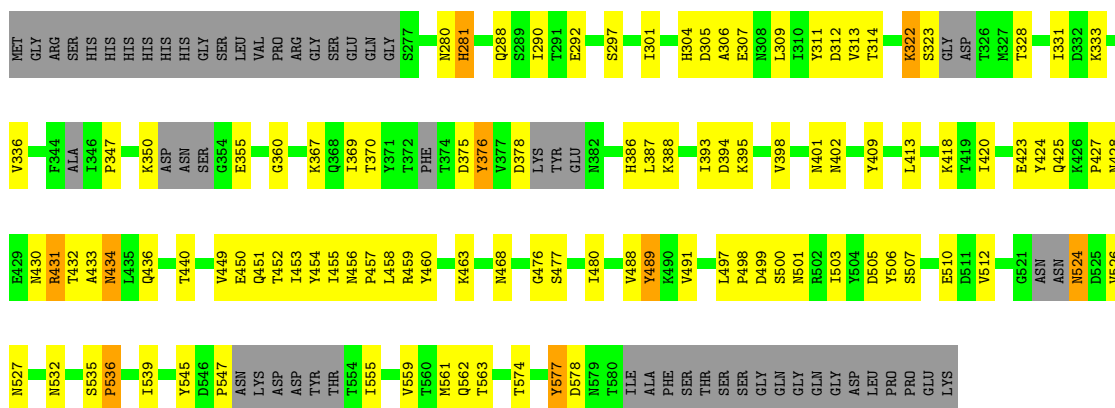
Chain	Residue	Modelled	Actual	Comment	Reference
D	265	HIS	-	cloning artifact	UNP Q9KI13
D	266	GLY	-	cloning artifact	UNP Q9KI13
D	267	SER	-	cloning artifact	UNP Q9KI13
D	268	LEU	-	cloning artifact	UNP Q9KI13
D	269	VAL	-	cloning artifact	UNP Q9KI13
D	270	PRO	-	cloning artifact	UNP Q9KI13
D	271	ARG	-	cloning artifact	UNP Q9KI13
D	272	GLY	-	cloning artifact	UNP Q9KI13
D	273	SER	-	cloning artifact	UNP Q9KI13

3 Residue-property plots

These plots are drawn for all protein, RNA, DNA and oligosaccharide chains in the entry. The first graphic for a chain summarises the proportions of the various outlier classes displayed in the second graphic. The second graphic shows the sequence view annotated by issues in geometry and electron density. Residues are color-coded according to the number of geometric quality criteria for which they contain at least one outlier: green = 0, yellow = 1, orange = 2 and red = 3 or more. A red dot above a residue indicates a poor fit to the electron density ($RSRZ > 2$). Stretches of 2 or more consecutive residues without any outlier are shown as a green connector. Residues present in the sample, but not in the model, are shown in grey.

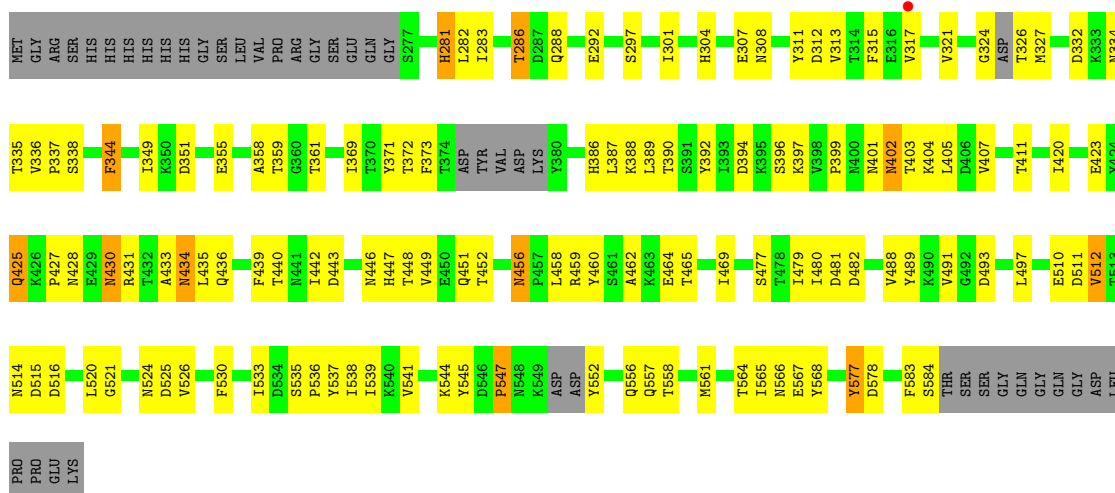
- Molecule 1: fibrinogen-binding protein SdrG

Chain A: 



- Molecule 1: fibrinogen-binding protein SdrG

Chain B: 



- Molecule 1: fibrinogen-binding protein SdrG

4 Data and refinement statistics

Property	Value	Source
Space group	P 1	Depositor
Cell constants a, b, c, α , β , γ	44.38Å 92.76Å 93.92Å 83.62° 76.06° 90.57°	Depositor
Resolution (Å)	19.99 – 3.51 43.17 – 3.51	Depositor EDS
% Data completeness (in resolution range)	92.0 (19.99-3.51) 91.8 (43.17-3.51)	Depositor EDS
R_{merge}	(Not available)	Depositor
R_{sym}	0.08	Depositor
$\langle I/\sigma(I) \rangle$ ¹	5.56 (at 3.48Å)	Xtrriage
Refinement program	CNS 1.0	Depositor
R, R_{free}	0.251 , 0.319 0.251 , 0.313	Depositor DCC
R_{free} test set	669 reflections (3.85%)	wwPDB-VP
Wilson B-factor (Å ²)	54.6	Xtrriage
Anisotropy	0.294	Xtrriage
Bulk solvent k_{sol} (e/Å ³), B_{sol} (Å ²)	0.31 , 44.3	EDS
L-test for twinning ²	$\langle L \rangle = 0.49$, $\langle L^2 \rangle = 0.32$	Xtrriage
Estimated twinning fraction	0.458 for h,-k,h-l	Xtrriage
F_o, F_c correlation	0.86	EDS
Total number of atoms	8216	wwPDB-VP
Average B, all atoms (Å ²)	28.0	wwPDB-VP

Xtrriage's analysis on translational NCS is as follows: *The largest off-origin peak in the Patterson function is 5.46% of the height of the origin peak. No significant pseudotranslation is detected.*

¹Intensities estimated from amplitudes.

²Theoretical values of $\langle |L| \rangle$, $\langle L^2 \rangle$ for acentric reflections are 0.5, 0.333 respectively for untwinned datasets, and 0.375, 0.2 for perfectly twinned datasets.

5 Model quality [i](#)

5.1 Standard geometry [i](#)

The Z score for a bond length (or angle) is the number of standard deviations the observed value is removed from the expected value. A bond length (or angle) with $|Z| > 5$ is considered an outlier worth inspection. RMSZ is the root-mean-square of all Z scores of the bond lengths (or angles).

Mol	Chain	Bond lengths		Bond angles	
		RMSZ	# Z >5	RMSZ	# Z >5
1	A	0.57	0/2019	0.76	2/2760 (0.1%)
1	B	0.60	0/2104	0.75	2/2892 (0.1%)
1	C	0.58	0/2136	0.72	0/2929
1	D	0.58	0/2052	0.74	1/2809 (0.0%)
All	All	0.58	0/8311	0.74	5/11390 (0.0%)

Chiral center outliers are detected by calculating the chiral volume of a chiral center and verifying if the center is modelled as a planar moiety or with the opposite hand. A planarity outlier is detected by checking planarity of atoms in a peptide group, atoms in a mainchain group or atoms of a sidechain that are expected to be planar.

Mol	Chain	#Chirality outliers	#Planarity outliers
1	D	0	1

There are no bond length outliers.

All (5) bond angle outliers are listed below:

Mol	Chain	Res	Type	Atoms	Z	Observed($^{\circ}$)	Ideal($^{\circ}$)
1	D	347	PRO	N-CA-CB	5.69	110.12	103.30
1	A	347	PRO	N-CA-CB	5.68	110.11	103.30
1	A	547	PRO	N-CA-CB	5.15	109.48	103.30
1	B	349	ILE	N-CA-C	-5.07	97.31	111.00
1	B	547	PRO	N-CA-CB	5.04	109.35	103.30

There are no chirality outliers.

All (1) planarity outliers are listed below:

Mol	Chain	Res	Type	Group
1	D	583	PHE	Sidechain

5.2 Too-close contacts [i](#)

In the following table, the Non-H and H(model) columns list the number of non-hydrogen atoms and hydrogen atoms in the chain respectively. The H(added) column lists the number of hydrogen atoms added and optimized by MolProbity. The Clashes column lists the number of clashes within the asymmetric unit, whereas Symm-Clashes lists symmetry-related clashes.

Mol	Chain	Non-H	H(model)	H(added)	Clashes	Symm-Clashes
1	A	1999	0	1657	107	0
1	B	2077	0	1705	105	0
1	C	2107	0	1775	131	0
1	D	2033	0	1681	101	0
All	All	8216	0	6818	443	0

The all-atom clashscore is defined as the number of clashes found per 1000 atoms (including hydrogen atoms). The all-atom clashscore for this structure is 29.

The worst 5 of 443 close contacts within the same asymmetric unit are listed below, sorted by their clash magnitude.

Atom-1	Atom-2	Interatomic distance (Å)	Clash overlap (Å)
1:D:432:THR:HG22	1:D:563:THR:HG21	1.40	1.01
1:B:313:VAL:HG13	1:B:387:LEU:HB2	1.46	0.97
1:B:304:HIS:HD2	1:B:425:GLN:H	1.15	0.92
1:B:456:ASN:HD21	1:B:460:TYR:H	1.07	0.92
1:B:313:VAL:CG1	1:B:387:LEU:HB2	1.98	0.92

There are no symmetry-related clashes.

5.3 Torsion angles [i](#)

5.3.1 Protein backbone [i](#)

In the following table, the Percentiles column shows the percent Ramachandran outliers of the chain as a percentile score with respect to all X-ray entries followed by that with respect to entries of similar resolution.

The Analysed column shows the number of residues for which the backbone conformation was analysed, and the total number of residues.

Mol	Chain	Analysed	Favoured	Allowed	Outliers	Percentiles
1	A	270/343 (79%)	246 (91%)	24 (9%)	0	100 100
1	B	292/343 (85%)	262 (90%)	26 (9%)	4 (1%)	11 47

Continued on next page...

Continued from previous page...

Mol	Chain	Analysed	Favoured	Allowed	Outliers	Percentiles	
1	C	288/343 (84%)	254 (88%)	29 (10%)	5 (2%)	9	44
1	D	278/343 (81%)	247 (89%)	30 (11%)	1 (0%)	34	71
All	All	1128/1372 (82%)	1009 (90%)	109 (10%)	10 (1%)	17	57

5 of 10 Ramachandran outliers are listed below:

Mol	Chain	Res	Type
1	B	567	GLU
1	C	482	ASP
1	C	515	ASP
1	C	567	GLU
1	B	515	ASP

5.3.2 Protein sidechains [i](#)

In the following table, the Percentiles column shows the percent sidechain outliers of the chain as a percentile score with respect to all X-ray entries followed by that with respect to entries of similar resolution.

The Analysed column shows the number of residues for which the sidechain conformation was analysed, and the total number of residues.

Mol	Chain	Analysed	Rotameric	Outliers	Percentiles	
1	A	183/313 (58%)	172 (94%)	11 (6%)	19	53
1	B	187/313 (60%)	175 (94%)	12 (6%)	17	51
1	C	195/313 (62%)	179 (92%)	16 (8%)	11	41
1	D	186/313 (59%)	174 (94%)	12 (6%)	17	50
All	All	751/1252 (60%)	700 (93%)	51 (7%)	16	48

5 of 51 residues with a non-rotameric sidechain are listed below:

Mol	Chain	Res	Type
1	C	430	ASN
1	C	489	TYR
1	D	563	THR
1	C	431	ARG
1	C	446	ASN

Sometimes sidechains can be flipped to improve hydrogen bonding and reduce clashes. 5 of 63 such sidechains are listed below:

Mol	Chain	Res	Type
1	B	472	ASN
1	D	400	ASN
1	C	400	ASN
1	D	368	GLN
1	D	451	GLN

5.3.3 RNA [i](#)

There are no RNA molecules in this entry.

5.4 Non-standard residues in protein, DNA, RNA chains [i](#)

There are no non-standard protein/DNA/RNA residues in this entry.

5.5 Carbohydrates [i](#)

There are no monosaccharides in this entry.

5.6 Ligand geometry [i](#)

There are no ligands in this entry.

5.7 Other polymers [i](#)

There are no such residues in this entry.

5.8 Polymer linkage issues [i](#)

There are no chain breaks in this entry.

6 Fit of model and data [i](#)

6.1 Protein, DNA and RNA chains [i](#)

In the following table, the column labelled ‘#RSRZ> 2’ contains the number (and percentage) of RSRZ outliers, followed by percent RSRZ outliers for the chain as percentile scores relative to all X-ray entries and entries of similar resolution. The OWAB column contains the minimum, median, 95th percentile and maximum values of the occupancy-weighted average B-factor per residue. The column labelled ‘Q< 0.9’ lists the number of (and percentage) of residues with an average occupancy less than 0.9.

Mol	Chain	Analysed	<RSRZ>	#RSRZ>2	OWAB(Å ²)	Q<0.9
1	A	286/343 (83%)	-0.38	0 100 100	5, 26, 65, 79	0
1	B	300/343 (87%)	-0.36	1 (0%) 94 89	2, 23, 67, 92	0
1	C	298/343 (86%)	-0.33	0 100 100	5, 24, 65, 84	0
1	D	292/343 (85%)	-0.37	0 100 100	5, 27, 69, 80	0
All	All	1176/1372 (85%)	-0.36	1 (0%) 95 93	2, 25, 67, 92	0

All (1) RSRZ outliers are listed below:

Mol	Chain	Res	Type	RSRZ
1	B	317	VAL	2.5

6.2 Non-standard residues in protein, DNA, RNA chains [i](#)

There are no non-standard protein/DNA/RNA residues in this entry.

6.3 Carbohydrates [i](#)

There are no monosaccharides in this entry.

6.4 Ligands [i](#)

There are no ligands in this entry.

6.5 Other polymers [i](#)

There are no such residues in this entry.