



# wwPDB X-ray Structure Validation Summary Report ⓘ

Sep 20, 2023 – 12:01 AM EDT

PDB ID : 5J1E  
Title : Crystal Structure of a Hydroxypyridone Carboxylic Acid Active-Site RNase H Inhibitor in Complex with HIV Reverse Transcriptase  
Authors : Kirby, K.A.; Sarafianos, S.G.  
Deposited on : 2016-03-29  
Resolution : 2.90 Å(reported)

This is a wwPDB X-ray Structure Validation Summary Report for a publicly released PDB entry.

We welcome your comments at [validation@mail.wwpdb.org](mailto:validation@mail.wwpdb.org)

A user guide is available at

<https://www.wwpdb.org/validation/2017/XrayValidationReportHelp>

with specific help available everywhere you see the ⓘ symbol.

The types of validation reports are described at

<http://www.wwpdb.org/validation/2017/FAQs#types>.

---

The following versions of software and data (see [references ⓘ](#)) were used in the production of this report:

MolProbity : 4.02b-467  
Mogul : 1.8.5 (274361), CSD as541be (2020)  
Xtrriage (Phenix) : 1.13  
EDS : 2.35.1  
buster-report : 1.1.7 (2018)  
Percentile statistics : 20191225.v01 (using entries in the PDB archive December 25th 2019)  
Refmac : 5.8.0158  
CCP4 : 7.0.044 (Gargrove)  
Ideal geometry (proteins) : Engh & Huber (2001)  
Ideal geometry (DNA, RNA) : Parkinson et al. (1996)  
Validation Pipeline (wwPDB-VP) : 2.35.1

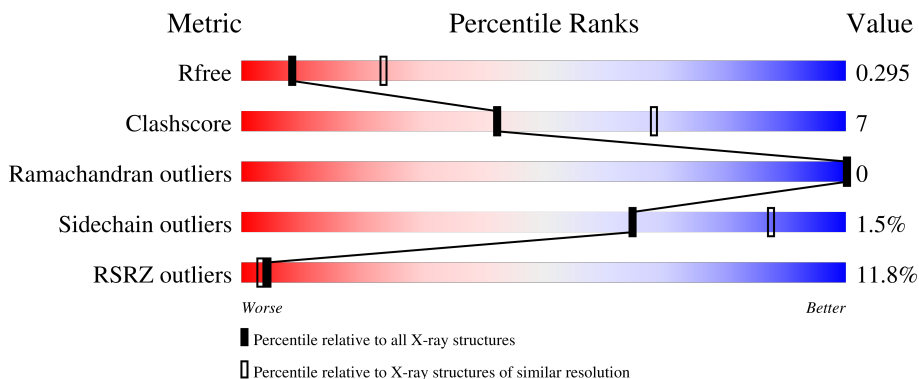
# 1 Overall quality at a glance

The following experimental techniques were used to determine the structure:

*X-RAY DIFFRACTION*

The reported resolution of this entry is 2.90 Å.

Percentile scores (ranging between 0-100) for global validation metrics of the entry are shown in the following graphic. The table shows the number of entries on which the scores are based.



Metric	Whole archive (#Entries)	Similar resolution (#Entries, resolution range(Å))
$R_{free}$	130704	1957 (2.90-2.90)
Clashscore	141614	2172 (2.90-2.90)
Ramachandran outliers	138981	2115 (2.90-2.90)
Sidechain outliers	138945	2117 (2.90-2.90)
RSRZ outliers	127900	1906 (2.90-2.90)

The table below summarises the geometric issues observed across the polymeric chains and their fit to the electron density. The red, orange, yellow and green segments of the lower bar indicate the fraction of residues that contain outliers for  $\geq 3$ , 2, 1 and 0 types of geometric quality criteria respectively. A grey segment represents the fraction of residues that are not modelled. The numeric value for each fraction is indicated below the corresponding segment, with a dot representing fractions  $\leq 5\%$ . The upper red bar (where present) indicates the fraction of residues that have poor fit to the electron density. The numeric value is given above the bar.

Mol	Chain	Length	Quality of chain
1	A	557	 17% 73% 24% ..
1	C	557	 9% 82% 16% .
2	B	429	 11% 76% 19% 6%
2	D	429	 7% 74% 17% 8%

The following table lists non-polymeric compounds, carbohydrate monomers and non-standard

residues in protein, DNA, RNA chains that are outliers for geometric or electron-density-fit criteria:

Mol	Type	Chain	Res	Chirality	Geometry	Clashes	Electron density
4	6FT	C	603	-	-	-	X

## 2 Entry composition [i](#)

There are 5 unique types of molecules in this entry. The entry contains 15484 atoms, of which 0 are hydrogens and 0 are deuteriums.

In the tables below, the ZeroOcc column contains the number of atoms modelled with zero occupancy, the AltConf column contains the number of residues with at least one atom in alternate conformation and the Trace column contains the number of residues modelled with at most 2 atoms.

- Molecule 1 is a protein called HIV-1 REVERSE TRANSCRIPTASE P66 DOMAIN.

Mol	Chain	Residues	Atoms					ZeroOcc	AltConf	Trace
			Total	C	N	O	S			
1	A	541	Total	C	N	O	S	0	0	0
			4407	2855	730	815	7			
1	C	548	Total	C	N	O	S	0	0	0
			4463	2889	742	825	7			

There are 6 discrepancies between the modelled and reference sequences:

Chain	Residue	Modelled	Actual	Comment	Reference
A	-1	MET	-	initiating methionine	UNP P03366
A	0	VAL	-	expression tag	UNP P03366
A	280	SER	CYS	engineered mutation	UNP P03366
C	-1	MET	-	initiating methionine	UNP P03366
C	0	VAL	-	expression tag	UNP P03366
C	280	SER	CYS	engineered mutation	UNP P03366

- Molecule 2 is a protein called HIV-1 REVERSE TRANSCRIPTASE P51 DOMAIN.

Mol	Chain	Residues	Atoms					ZeroOcc	AltConf	Trace
			Total	C	N	O	S			
2	B	405	Total	C	N	O	S	0	0	0
			3341	2175	554	606	6			
2	D	393	Total	C	N	O	S	0	0	0
			3240	2114	532	589	5			

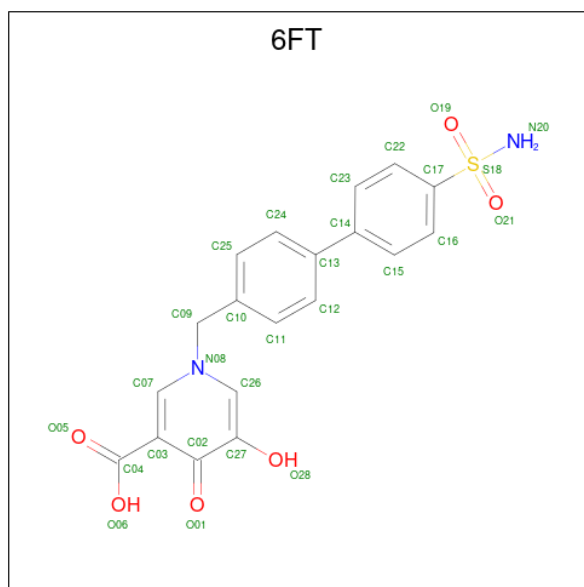
There are 4 discrepancies between the modelled and reference sequences:

Chain	Residue	Modelled	Actual	Comment	Reference
B	0	GLY	-	expression tag	UNP P03366
B	280	SER	CYS	engineered mutation	UNP P03366
D	0	GLY	-	expression tag	UNP P03366
D	280	SER	CYS	engineered mutation	UNP P03366

- Molecule 3 is MAGNESIUM ION (three-letter code: MG) (formula: Mg).

Mol	Chain	Residues	Atoms	ZeroOcc	AltConf
3	A	1	Total Mg 1 1	0	0
3	C	2	Total Mg 2 2	0	0

- Molecule 4 is 5-hydroxy-4-oxo-1-[(4'-sulfamoyl[1,1'-biphenyl]-4-yl)methyl]-1,4-dihydropyridine-3-carboxylic acid (three-letter code: 6FT) (formula: C<sub>19</sub>H<sub>16</sub>N<sub>2</sub>O<sub>6</sub>S).



Mol	Chain	Residues	Atoms	ZeroOcc	AltConf
4	C	1	Total C N O S 28 19 2 6 1	0	0

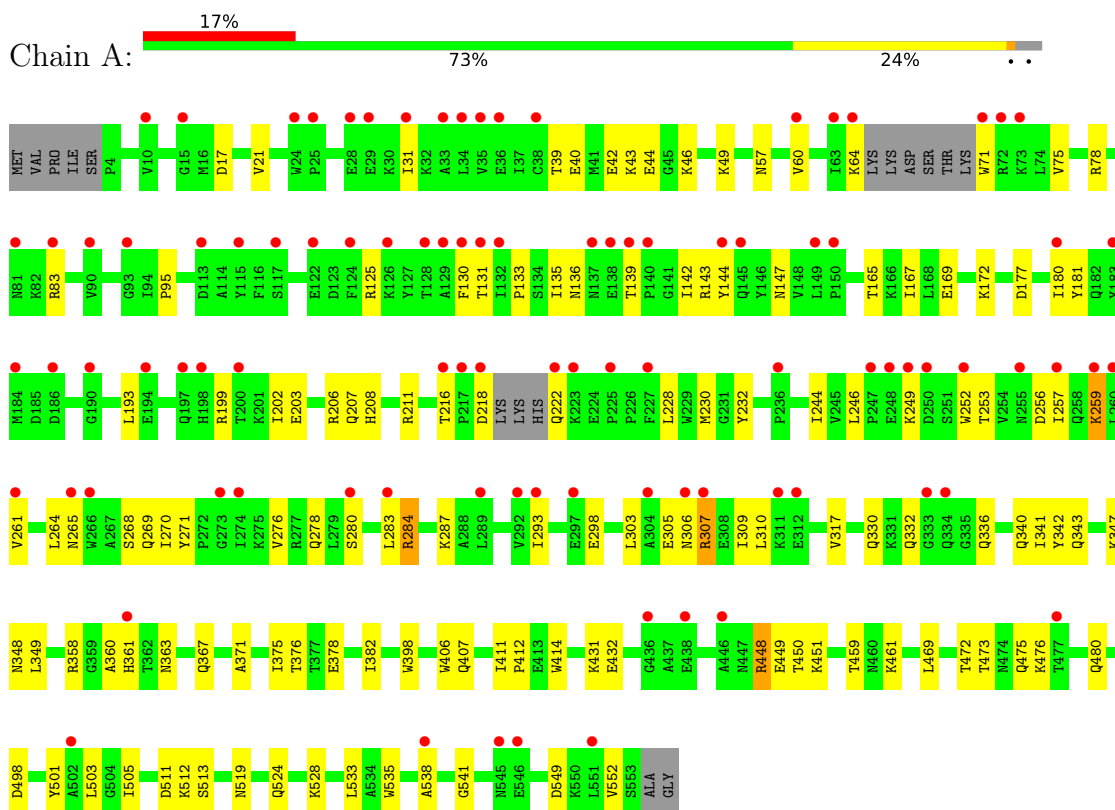
- Molecule 5 is water.

Mol	Chain	Residues	Atoms	ZeroOcc	AltConf
5	B	1	Total O 1 1	0	0
5	D	1	Total O 1 1	0	0

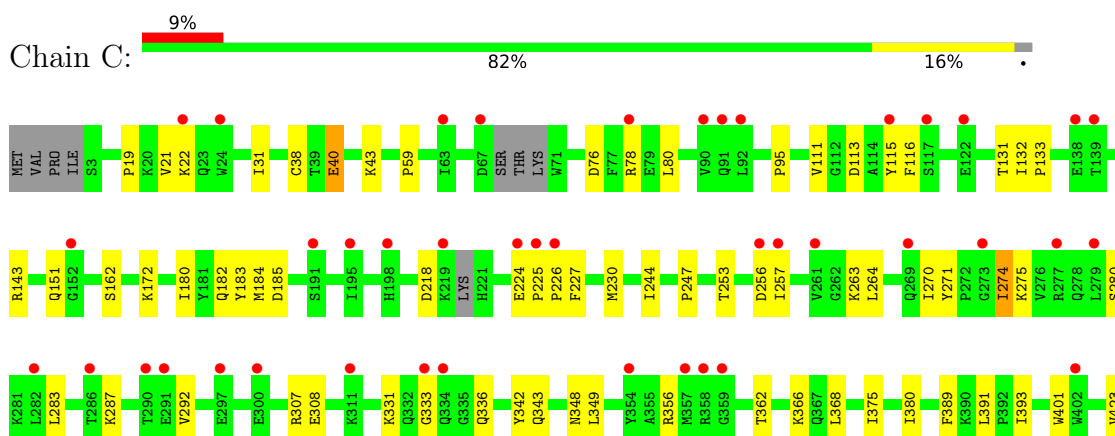
### 3 Residue-property plots

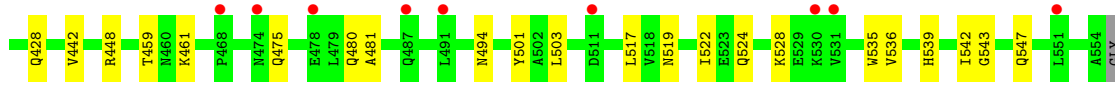
These plots are drawn for all protein, RNA, DNA and oligosaccharide chains in the entry. The first graphic for a chain summarises the proportions of the various outlier classes displayed in the second graphic. The second graphic shows the sequence view annotated by issues in geometry and electron density. Residues are color-coded according to the number of geometric quality criteria for which they contain at least one outlier: green = 0, yellow = 1, orange = 2 and red = 3 or more. A red dot above a residue indicates a poor fit to the electron density ( $RSRZ > 2$ ). Stretches of 2 or more consecutive residues without any outlier are shown as a green connector. Residues present in the sample, but not in the model, are shown in grey.

#### • Molecule 1: HIV-1 REVERSE TRANSCRIPTASE P66 DOMAIN

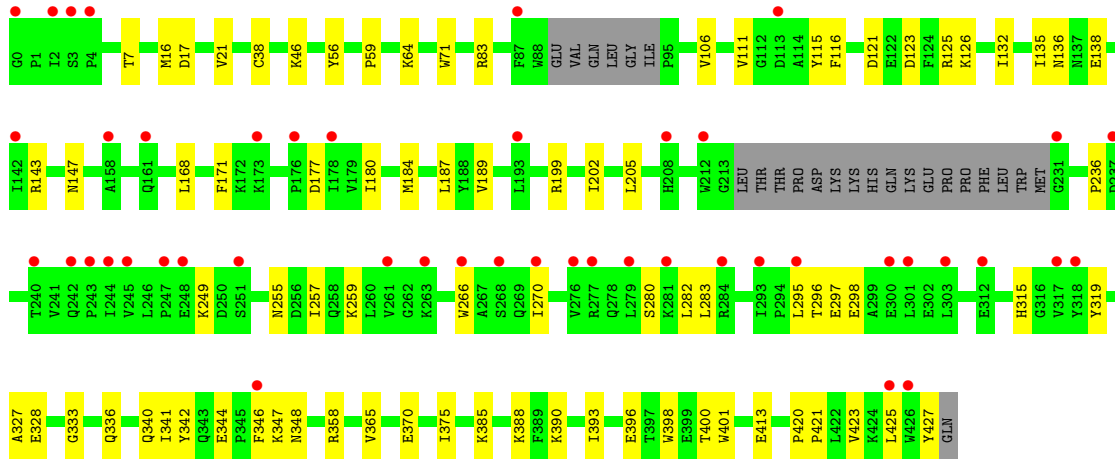
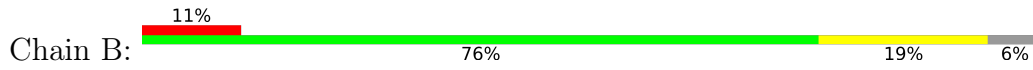


#### • Molecule 1: HIV-1 REVERSE TRANSCRIPTASE P66 DOMAIN

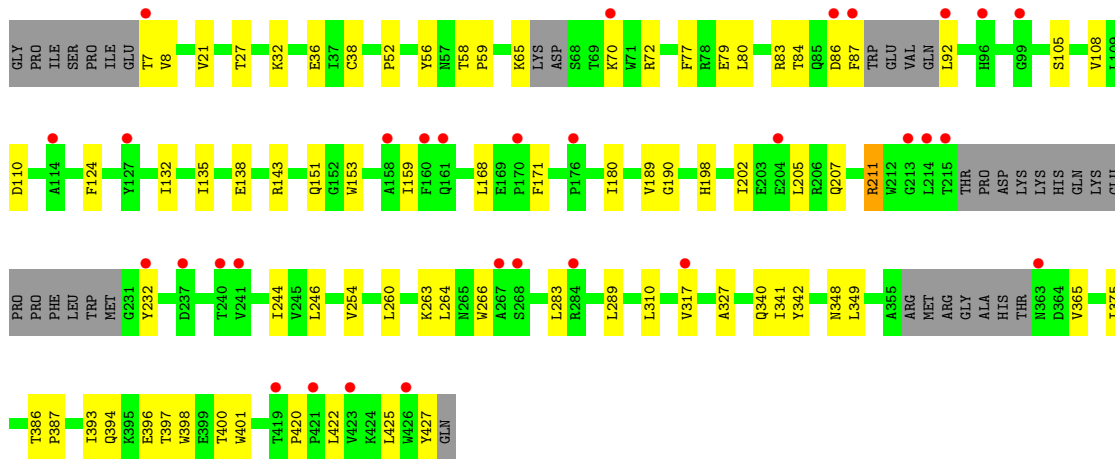
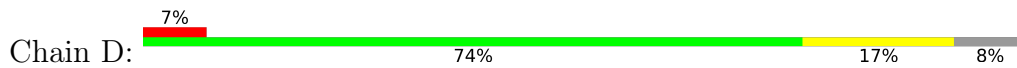




● Molecule 2: HIV-1 REVERSE TRANSCRIPTASE P51 DOMAIN



● Molecule 2: HIV-1 REVERSE TRANSCRIPTASE P51 DOMAIN



## 4 Data and refinement statistics

Property	Value	Source
Space group	P 1	Depositor
Cell constants a, b, c, $\alpha$ , $\beta$ , $\gamma$	69.07Å 89.31Å 108.22Å 105.47° 92.69° 110.80°	Depositor
Resolution (Å)	63.77 – 2.90 63.77 – 2.90	Depositor EDS
% Data completeness (in resolution range)	97.8 (63.77-2.90) 97.9 (63.77-2.90)	Depositor EDS
$R_{merge}$	0.09	Depositor
$R_{sym}$	(Not available)	Depositor
$\langle I/\sigma(I) \rangle$ <sup>1</sup>	2.92 (at 2.91Å)	Xtrriage
Refinement program	PHENIX (1.10.1_2155)	Depositor
R, $R_{free}$	0.254 , 0.294 0.254 , 0.295	Depositor DCC
$R_{free}$ test set	2495 reflections (5.00%)	wwPDB-VP
Wilson B-factor (Å <sup>2</sup> )	61.9	Xtrriage
Anisotropy	0.293	Xtrriage
Bulk solvent $k_{sol}$ (e/Å <sup>3</sup> ), $B_{sol}$ (Å <sup>2</sup> )	0.31 , 30.5	EDS
L-test for twinning <sup>2</sup>	$\langle  L  \rangle = 0.50$ , $\langle L^2 \rangle = 0.34$	Xtrriage
Estimated twinning fraction	0.014 for h,-h-k,-l	Xtrriage
$F_o, F_c$ correlation	0.90	EDS
Total number of atoms	15484	wwPDB-VP
Average B, all atoms (Å <sup>2</sup> )	74.0	wwPDB-VP

Xtrriage's analysis on translational NCS is as follows: *The largest off-origin peak in the Patterson function is 4.19% of the height of the origin peak. No significant pseudotranslation is detected.*

<sup>1</sup>Intensities estimated from amplitudes.

<sup>2</sup>Theoretical values of  $\langle |L| \rangle$ ,  $\langle L^2 \rangle$  for acentric reflections are 0.5, 0.333 respectively for untwinned datasets, and 0.375, 0.2 for perfectly twinned datasets.



## 5 Model quality

### 5.1 Standard geometry

Bond lengths and bond angles in the following residue types are not validated in this section: MG, 6FT

The Z score for a bond length (or angle) is the number of standard deviations the observed value is removed from the expected value. A bond length (or angle) with  $|Z| > 5$  is considered an outlier worth inspection. RMSZ is the root-mean-square of all Z scores of the bond lengths (or angles).

Mol	Chain	Bond lengths		Bond angles	
		RMSZ	# Z  >5	RMSZ	# Z  >5
1	A	0.25	0/4521	0.46	0/6143
1	C	0.24	0/4578	0.44	0/6218
2	B	0.25	0/3437	0.42	0/4668
2	D	0.24	0/3329	0.43	0/4520
All	All	0.25	0/15865	0.44	0/21549

Chiral center outliers are detected by calculating the chiral volume of a chiral center and verifying if the center is modelled as a planar moiety or with the opposite hand. A planarity outlier is detected by checking planarity of atoms in a peptide group, atoms in a mainchain group or atoms of a sidechain that are expected to be planar.

Mol	Chain	#Chirality outliers	#Planarity outliers
1	A	0	1

There are no bond length outliers.

There are no bond angle outliers.

There are no chirality outliers.

All (1) planarity outliers are listed below:

Mol	Chain	Res	Type	Group
1	A	136	ASN	Peptide

### 5.2 Too-close contacts

In the following table, the Non-H and H(model) columns list the number of non-hydrogen atoms and hydrogen atoms in the chain respectively. The H(added) column lists the number of hydrogen atoms added and optimized by MolProbity. The Clashes column lists the number of clashes within the asymmetric unit, whereas Symm-Clashes lists symmetry-related clashes.

Mol	Chain	Non-H	H(model)	H(added)	Clashes	Symm-Clashes
1	A	4407	0	4450	86	1
1	C	4463	0	4509	52	1
2	B	3341	0	3373	46	0
2	D	3240	0	3276	42	0
3	A	1	0	0	0	0
3	C	2	0	0	0	0
4	C	28	0	0	1	0
5	B	1	0	0	0	0
5	D	1	0	0	0	0
All	All	15484	0	15608	215	1

The all-atom clashscore is defined as the number of clashes found per 1000 atoms (including hydrogen atoms). The all-atom clashscore for this structure is 7.

The worst 5 of 215 close contacts within the same asymmetric unit are listed below, sorted by their clash magnitude.

Atom-1	Atom-2	Interatomic distance (Å)	Clash overlap (Å)
2:D:84:THR:HG21	2:D:153:TRP:HE1	1.42	0.84
1:C:59:PRO:HG2	1:C:76:ASP:HB3	1.61	0.82
1:A:83:ARG:NH2	1:C:308:GLU:OE1	2.16	0.79
2:B:270:ILE:HG12	2:B:346:PHE:HB3	1.67	0.76
1:A:246:LEU:HD21	1:A:310:LEU:HD12	1.69	0.73

All (1) symmetry-related close contacts are listed below. The label for Atom-2 includes the symmetry operator and encoded unit-cell translations to be applied.

Atom-1	Atom-2	Interatomic distance (Å)	Clash overlap (Å)
1:A:43:LYS:NZ	1:C:448:ARG:O[1_655]	2.18	0.02

## 5.3 Torsion angles [i](#)

### 5.3.1 Protein backbone [i](#)

In the following table, the Percentiles column shows the percent Ramachandran outliers of the chain as a percentile score with respect to all X-ray entries followed by that with respect to entries of similar resolution.

The Analysed column shows the number of residues for which the backbone conformation was analysed, and the total number of residues.

Mol	Chain	Analysed	Favoured	Allowed	Outliers	Percentiles	
1	A	535/557 (96%)	516 (96%)	19 (4%)	0	100	100
1	C	542/557 (97%)	526 (97%)	16 (3%)	0	100	100
2	B	399/429 (93%)	389 (98%)	10 (2%)	0	100	100
2	D	383/429 (89%)	374 (98%)	9 (2%)	0	100	100
All	All	1859/1972 (94%)	1805 (97%)	54 (3%)	0	100	100

There are no Ramachandran outliers to report.

### 5.3.2 Protein sidechains [i](#)

In the following table, the Percentiles column shows the percent sidechain outliers of the chain as a percentile score with respect to all X-ray entries followed by that with respect to entries of similar resolution.

The Analysed column shows the number of residues for which the sidechain conformation was analysed, and the total number of residues.

Mol	Chain	Analysed	Rotameric	Outliers	Percentiles	
1	A	483/497 (97%)	474 (98%)	9 (2%)	57	84
1	C	489/497 (98%)	483 (99%)	6 (1%)	71	91
2	B	367/390 (94%)	362 (99%)	5 (1%)	67	89
2	D	357/390 (92%)	352 (99%)	5 (1%)	67	89
All	All	1696/1774 (96%)	1671 (98%)	25 (2%)	65	87

5 of 25 residues with a non-rotameric sidechain are listed below:

Mol	Chain	Res	Type
1	C	40	GLU
1	C	274	ILE
2	D	427	TYR
1	C	218	ASP
1	C	275	LYS

Sometimes sidechains can be flipped to improve hydrogen bonding and reduce clashes. All (1) such sidechains are listed below:

Mol	Chain	Res	Type
2	D	161	GLN

### 5.3.3 RNA [i](#)

There are no RNA molecules in this entry.

## 5.4 Non-standard residues in protein, DNA, RNA chains [i](#)

There are no non-standard protein/DNA/RNA residues in this entry.

## 5.5 Carbohydrates [i](#)

There are no monosaccharides in this entry.

## 5.6 Ligand geometry [i](#)

Of 4 ligands modelled in this entry, 3 are monoatomic - leaving 1 for Mogul analysis.

In the following table, the Counts columns list the number of bonds (or angles) for which Mogul statistics could be retrieved, the number of bonds (or angles) that are observed in the model and the number of bonds (or angles) that are defined in the Chemical Component Dictionary. The Link column lists molecule types, if any, to which the group is linked. The Z score for a bond length (or angle) is the number of standard deviations the observed value is removed from the expected value. A bond length (or angle) with  $|Z| > 2$  is considered an outlier worth inspection. RMSZ is the root-mean-square of all Z scores of the bond lengths (or angles).

Mol	Type	Chain	Res	Link	Bond lengths			Bond angles		
					Counts	RMSZ	# Z  > 2	Counts	RMSZ	# Z  > 2
4	6FT	C	603	3	29,30,30	2.60	7 (24%)	42,44,44	2.07	5 (11%)

In the following table, the Chirals column lists the number of chiral outliers, the number of chiral centers analysed, the number of these observed in the model and the number defined in the Chemical Component Dictionary. Similar counts are reported in the Torsion and Rings columns. '-' means no outliers of that kind were identified.

Mol	Type	Chain	Res	Link	Chirals	Torsions	Rings
4	6FT	C	603	3	-	7/18/18/18	0/3/3/3

The worst 5 of 7 bond length outliers are listed below:

Mol	Chain	Res	Type	Atoms	Z	Observed(Å)	Ideal(Å)
4	C	603	6FT	C26-N08	6.70	1.49	1.37
4	C	603	6FT	C07-N08	6.65	1.49	1.37
4	C	603	6FT	C07-C03	5.57	1.53	1.38

*Continued on next page...*

*Continued from previous page...*

Mol	Chain	Res	Type	Atoms	Z	Observed(Å)	Ideal(Å)
4	C	603	6FT	S18-N20	5.50	1.71	1.60
4	C	603	6FT	C17-S18	3.05	1.81	1.77

All (5) bond angle outliers are listed below:

Mol	Chain	Res	Type	Atoms	Z	Observed(°)	Ideal(°)
4	C	603	6FT	O21-S18-O19	-10.54	101.43	118.76
4	C	603	6FT	O21-S18-C17	3.72	111.51	107.35
4	C	603	6FT	O19-S18-C17	3.16	110.88	107.35
4	C	603	6FT	O21-S18-N20	2.82	111.54	107.36
4	C	603	6FT	O19-S18-N20	2.48	111.04	107.36

There are no chirality outliers.

5 of 7 torsion outliers are listed below:

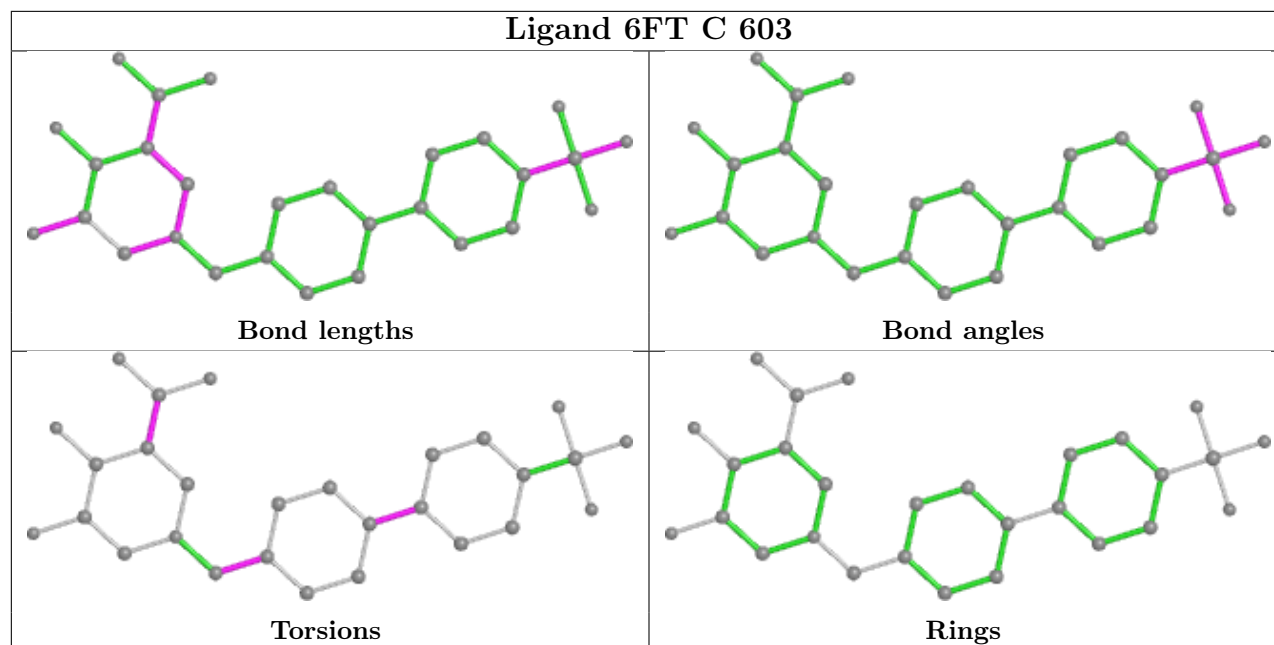
Mol	Chain	Res	Type	Atoms
4	C	603	6FT	C24-C13-C14-C23
4	C	603	6FT	C02-C03-C04-O05
4	C	603	6FT	C24-C13-C14-C15
4	C	603	6FT	C12-C13-C14-C15
4	C	603	6FT	C12-C13-C14-C23

There are no ring outliers.

1 monomer is involved in 1 short contact:

Mol	Chain	Res	Type	Clashes	Symm-Clashes
4	C	603	6FT	1	0

The following is a two-dimensional graphical depiction of Mogul quality analysis of bond lengths, bond angles, torsion angles, and ring geometry for all instances of the Ligand of Interest. In addition, ligands with molecular weight > 250 and outliers as shown on the validation Tables will also be included. For torsion angles, if less than 5% of the Mogul distribution of torsion angles is within 10 degrees of the torsion angle in question, then that torsion angle is considered an outlier. Any bond that is central to one or more torsion angles identified as an outlier by Mogul will be highlighted in the graph. For rings, the root-mean-square deviation (RMSD) between the ring in question and similar rings identified by Mogul is calculated over all ring torsion angles. If the average RMSD is greater than 60 degrees and the minimal RMSD between the ring in question and any Mogul-identified rings is also greater than 60 degrees, then that ring is considered an outlier. The outliers are highlighted in purple. The color gray indicates Mogul did not find sufficient equivalents in the CSD to analyse the geometry.



## 5.7 Other polymers [i](#)

There are no such residues in this entry.

## 5.8 Polymer linkage issues [i](#)

There are no chain breaks in this entry.

## 6 Fit of model and data [i](#)

### 6.1 Protein, DNA and RNA chains [i](#)

In the following table, the column labelled ‘#RSRZ > 2’ contains the number (and percentage) of RSRZ outliers, followed by percent RSRZ outliers for the chain as percentile scores relative to all X-ray entries and entries of similar resolution. The OWAB column contains the minimum, median, 95<sup>th</sup> percentile and maximum values of the occupancy-weighted average B-factor per residue. The column labelled ‘Q < 0.9’ lists the number of (and percentage) of residues with an average occupancy less than 0.9.

Mol	Chain	Analysed	<RSRZ>	#RSRZ>2	OWAB(Å <sup>2</sup> )	Q<0.9
1	A	541/557 (97%)	0.97	95 (17%) <b>1</b> <b>1</b>	36, 77, 138, 213	0
1	C	548/557 (98%)	0.73	51 (9%) <b>8</b> <b>6</b>	43, 70, 124, 166	0
2	B	405/429 (94%)	0.74	46 (11%) <b>5</b> <b>3</b>	36, 66, 124, 159	0
2	D	393/429 (91%)	0.66	31 (7%) <b>12</b> <b>10</b>	40, 60, 108, 126	0
All	All	1887/1972 (95%)	0.78	223 (11%) <b>4</b> <b>3</b>	36, 68, 126, 213	0

The worst 5 of 223 RSRZ outliers are listed below:

Mol	Chain	Res	Type	RSRZ
2	B	295	LEU	7.9
1	A	31	ILE	6.8
2	B	426	TRP	6.8
2	D	240	THR	6.7
1	A	216	THR	6.6

### 6.2 Non-standard residues in protein, DNA, RNA chains [i](#)

There are no non-standard protein/DNA/RNA residues in this entry.

### 6.3 Carbohydrates [i](#)

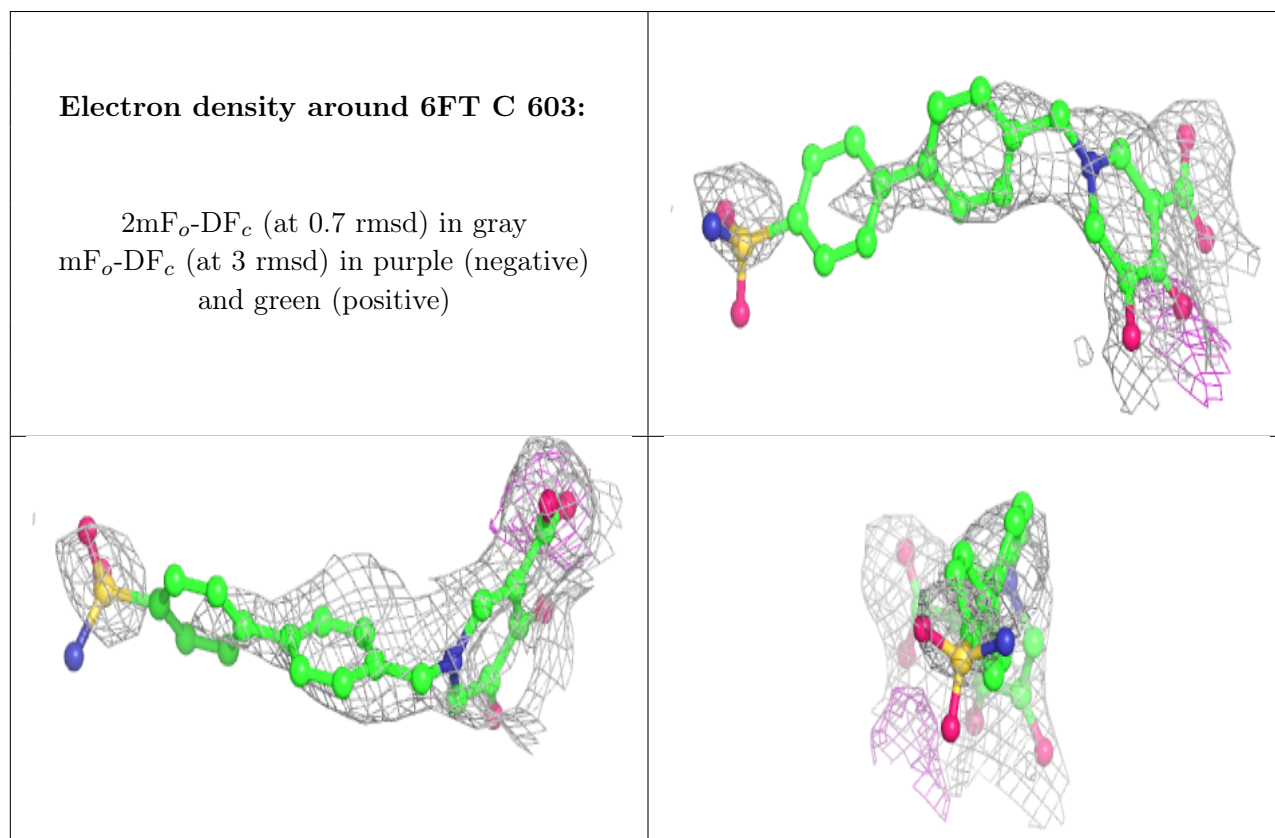
There are no monosaccharides in this entry.

### 6.4 Ligands [i](#)

In the following table, the Atoms column lists the number of modelled atoms in the group and the number defined in the chemical component dictionary. The B-factors column lists the minimum, median, 95<sup>th</sup> percentile and maximum values of B factors of atoms in the group. The column labelled ‘Q < 0.9’ lists the number of atoms with occupancy less than 0.9.

Mol	Type	Chain	Res	Atoms	RSCC	RSR	B-factors( $\text{\AA}^2$ )	Q<0.9
3	MG	A	601	1/1	0.37	0.24	113,113,113,113	0
3	MG	C	601	1/1	0.54	0.23	66,66,66,66	0
3	MG	C	602	1/1	0.61	0.11	67,67,67,67	0
4	6FT	C	603	28/28	0.73	0.49	60,82,99,101	28

The following is a graphical depiction of the model fit to experimental electron density of all instances of the Ligand of Interest. In addition, ligands with molecular weight > 250 and outliers as shown on the geometry validation Tables will also be included. Each fit is shown from different orientation to approximate a three-dimensional view.



## 6.5 Other polymers [i](#)

There are no such residues in this entry.